

4.39 DURA-DRIVE SPM

Synchronous Permanent Magnet Motorized Pulley

The Dura-Drive Synchronous motorized pulleys are high powered, high efficiency motors that help lower energy costs by running more efficiently and in turn, meeting current energy efficiency regulations. The permanent magnet design is the key to the high efficiency and the power density. Best for applications in logistics, general automation, machine building, and are especially suited for servo-type applications.



Oil Free

Dura-Drive SPM pulleys run oil-free meaning no possibility of oil leaks. This solves one of the main problems of motorized pulleys, especially in food applications. Oil-free provides high power with no need for oil cooling eliminating any chance of leakage. Additionally, there is practically no conveyor downtime or maintenance and that leads to lower costs and higher productivity.

Simple Design

Dura-Drive SPM is a one-piece pulley so it can be easily specified into new conveyor systems, which dramatically reduces design time. For existing systems the pulleys can be ordered with two mounting brackets for an easy retrofit. Because it's compact, and all moving parts are enclosed in the pulley shell, there is less concern of hazards and pinch points and there's no external grease or oil from chains, bearings and couplings.

Cool Running

The permanent magnet motor allows for the pulley to run at high power and very low electrical and mechanical losses. This results in significantly reduced heat when compared to a motorized pulley powered by a standard AC induction motor.

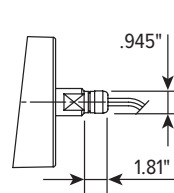
Standardization

Due to the constant torque over a broad speed range, one Dura-Drive SPM can cover a wide range of applications.

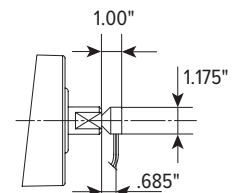
Constructions & Materials

Component	Standard	Options
Shaft	Mild Steel	Stainless Steel
Shell	Mild Steel	Stainless Steel
	Crowned	Rubber Lagged
		Flat Face
		V-Grooves
		Sprockets
		Hard Chrome
End Caps	Mild Steel	Stainless Steel
Sealing	IP66	IP69K
Electrical Connections	Straight brass connector with 1.5 meter cable (longer cable lengths available)	Stainless Steel elbow connector with 1.5 meter cable (longer cable lengths available)
		Stainless Steel terminal box
Motor Insulation	Class F	

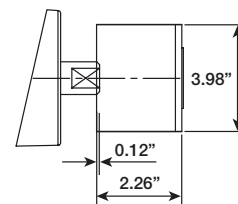
Electrical Connections



Straight brass connector with 1.5m cable (longer cable lengths available)



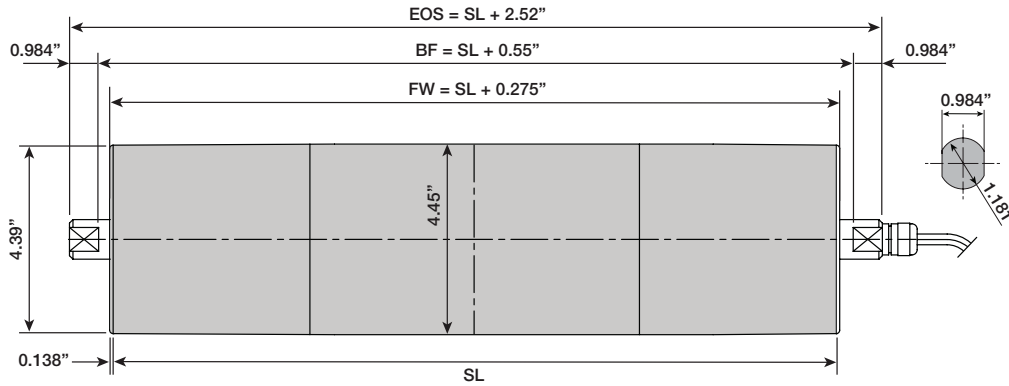
Stainless Steel elbow connector with 1.5m cable (longer cable lengths available)



Stainless Steel terminal box

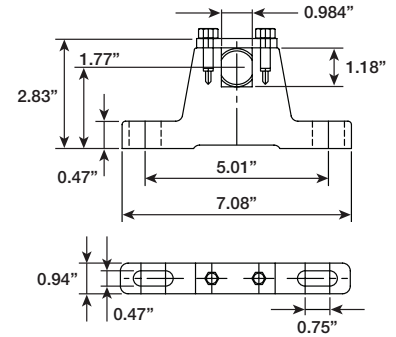


Motorized and Idler Pulley Dimensions



Mounting Bracket

Material: Cast iron or stainless steel bracket



Standard Gearbox

HP	Minimum Shell Length	RPM	FPM (nominal)	Belt Pull (lbs)	Drum Torque (ft/lbs)
0.50	11.81"	94	109	144	26.6
		150	175	90	16.6
		188	218	72	13.3
		250	291	54	10.0
		375	437	37	6.8
1.0	12.17"	94	109	175	32.5
		150	175	172	31.9
		188	218	138	25.5
		250	291	103	19.1
		375	437	70	13.0
1.35	12.96"	94	109	175	32.5
		150	175	175	32.5
		188	218	175	32.5
		250	291	144	26.6
		375	437	72	13.3

**Bold blue numbers designates special order items.

Heavy Duty Gearbox

HP	Minimum Shell Length	RPM	FPM (nominal)	Belt Pull (lbs)	Drum Torque (ft/lbs)
1.0	15.35"	74	87	344	64
		94	109	275	51
150		175	172	32	
188		218	138	26	
	14.96"	298	349	88	16
1.35	15.35"	43	50	398	74
		74	87	442	81
		94	109	386	71
		120	141	293	54
		150	175	241	44
		188	218	193	35
	14.96"	298	349	123	23

**Bold blue numbers designates special order items.

- Speed adjustments in the following ranges are possible:
 - Sensor-less operation with a suitable frequency inverter: 10:1 is normal, 15:1 possible
 - Servo drive and feedback: up to 1,000:1
- Starting torque:
 - Sensor-less: rated torque x 1.5
 - With feedback: peak torque
- Standard shell lengths (SL) up to 40", contact Sparks customer service for longer shell lengths
- Other shaft size options are available
- Contact Sparks customer service for lagging and v-groove options

Motor Data (Required for VFD Programming)

Motor		0.50HP	1.0HP (230V Input)	1.0HP (460V Input)	1.35HP (230V Input)	1.35HP (460V Input)
Power	HP (kW)	0.50 (0.38)	1.0 (0.72)	1.0 (0.72)	1.35 (1.01)	1.35 (1.01)
Nameplate / Maximum Frequency	Hz	150	150	150	150	150
Nominal rotational speed	n_n	3,000	3,000	3,000	3,000	3,000
Pole pairs		3	3	3	3	3
Electrical connection		Y	Y	Y	Y	Y
Stator Rated Voltage	V	181	181	320	181	320
Rated torque [Nm]	M_n	1.2	2.3	2.3	3.2	3.2
Nominal current per phase [A _{rms}]	I_n	1.5	2.6	1.6	3.7	2.1
Stall torque [Nm]	M_0	1.5	2.8	2.8	3.5	3.5
Locked rotor current per phase [A _{rms}]	I_0	1.8	3.1	1.8	3.9	2.2
Peak torque [Nm]	M_{max}	6.0	11.2	11.2	14.0	14.0
Peak current [A _{rms}]	I_{max}	7.2	12.4	7.2	15.6	8.8
Voltage constant (per 1.000 RPM) [V _{rms}]	k_e	51.7	54.3	95.3	55.0	97.5
Back EMF	V_{rms}	155.1	162.9	285.9	165.0	292.5
Torque constant [Nm/A _{rms}]	k_t	0.86	1.58	1.58	1.61	1.61
Winding resistance (phase to phase at 68°F) [Ω]	R_{pp}	9.8	4.6	14.2	2.8	9.0
Winding inductance (phase to phase) [mH]	L_{pp}	18.6	11.8	36.2	8.4	26.0
Electrical time constant [ms]	T_{el}	1.9	2.6	2.5	3.0	2.9
Rotor inertia [kgcm ²]	J	0.413	1.40	1.40	1.40	1.93

Additional information for 3.19 and 4.39

Connector Pin Assignment

Power

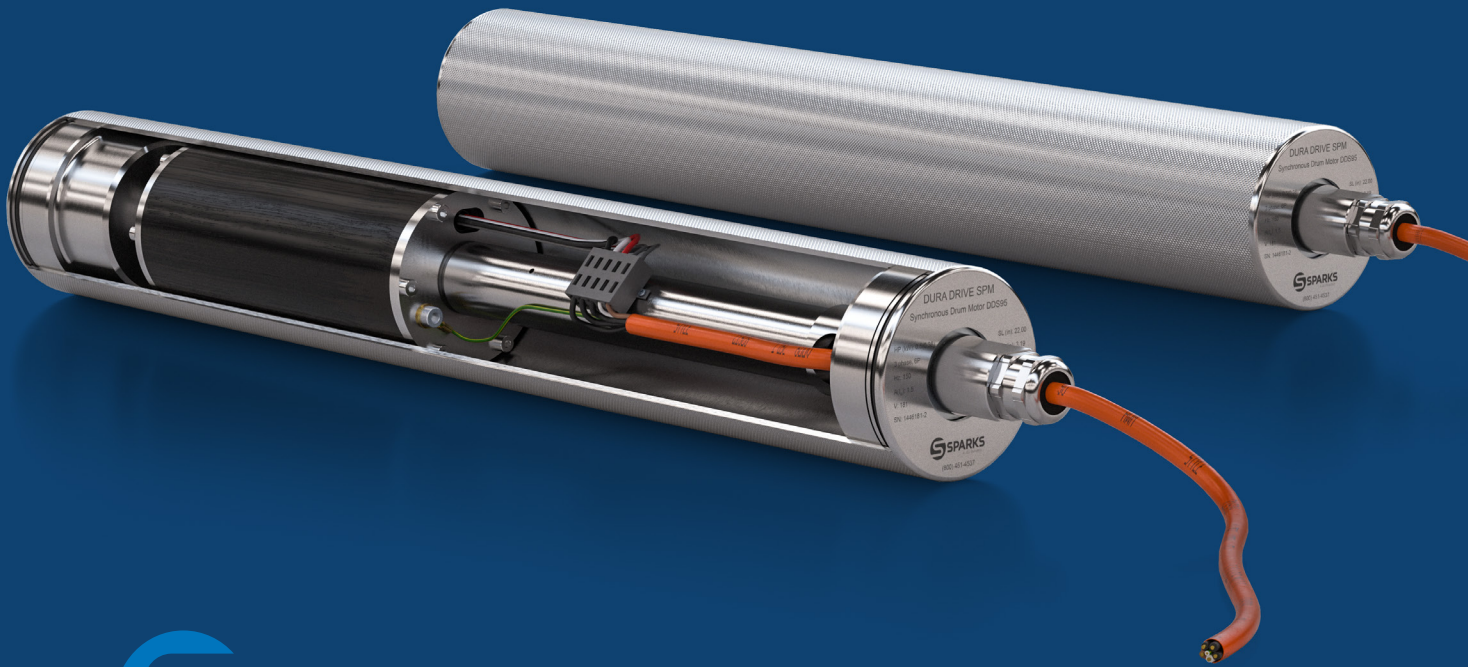
Color/Code	Function
black/1	U
black/2	V
black/3	W
green-yellow	ground
brown	thermal
white	thermal

Thermal Protection

The Dura-Drive SPM motorized pulley is fitted with either a KTY84-130 switch or PTC temperature sensor. The temperature sensor must be monitored by an external circuit, such as a frequency inverter, which switches off the power to the motor if the maximum temperature is exceeded.

Frequency Inverter/Sensorless	
Manufacturer	Type
Allen Bradley	PowerFlex 525
	PowerFlex 753
Invertek	Optidrive P2
	Optidrive E3
Lenze	i550
	Highline 8400
	Stateline 8400
Hitachi	WJ200
Nord	SK 215E
SEW	Movitrac LTP-B
Schneider Electric	Altivar 32

**The inverters in bold blue print above are stocked by Sparks and come pre-programmed.



DURA•DRIVE SPM

www.sparksbelting.com
customerservice@sparksbelting.com
Phone **(800) 451-4537** | Fax **(800) 338-2358**



13 Locations in the U.S. and Mexico:

Ontario, California	Spring Lake, Michigan	Rock Hill, South Carolina
Denver, Colorado	Fairfield, New Jersey	Auburn, Washington
Conyers, Georgia	Cleveland, Ohio	Monterrey, Mexico
Hammond, Indiana	York, Pennsylvania	León, Mexico

Headquarters: 3800 Stahl Dr., SE, Grand Rapids, MI 49546